

## Mica Insulators

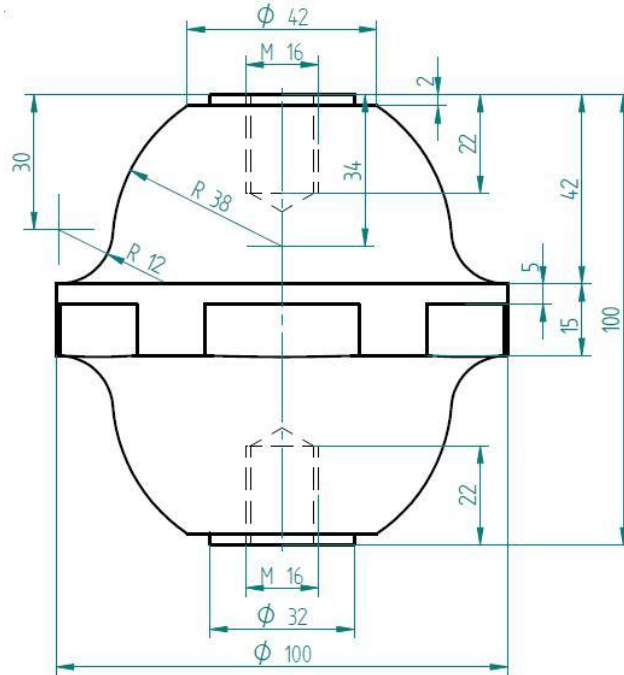


**TOP RAIL SERVICES**

M:+61 423081808  
P/F: +61 2 99393105

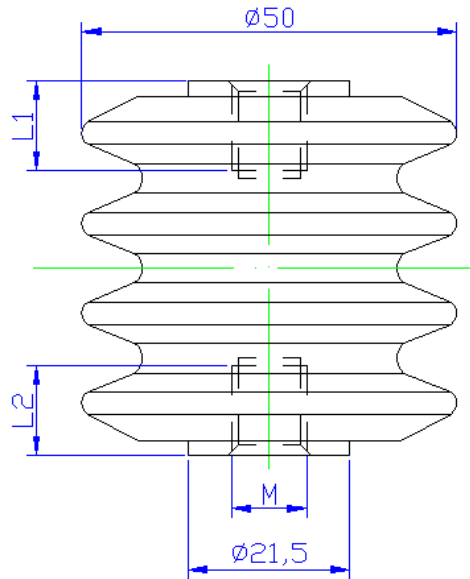
6/13 Gulliver St. Brookvale NSW Australia 2100

## MCA0A0



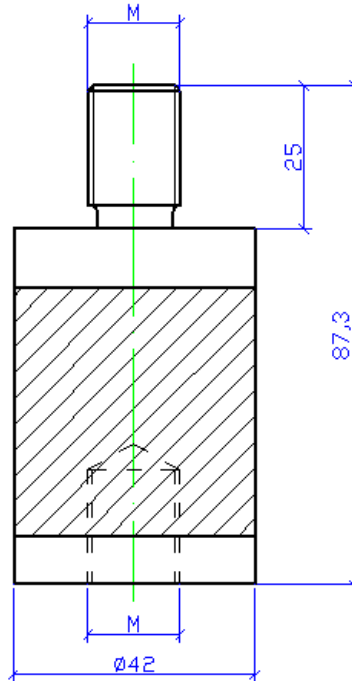
TEST ITEMS	Standard Value	Unit
Rice Arc Voltage(Dry)	≥38	KV
Break Voltage	≥50	KV
Insulations Voltage	35kV , 1min	KV
Pull Intensity	≥70	KN
Press Intensity	≥100	KN
Bend Intensity	≥18	KN
Torque	≥200	N.m
Height	100	mm
Diameter	100	mm

## MC5050S



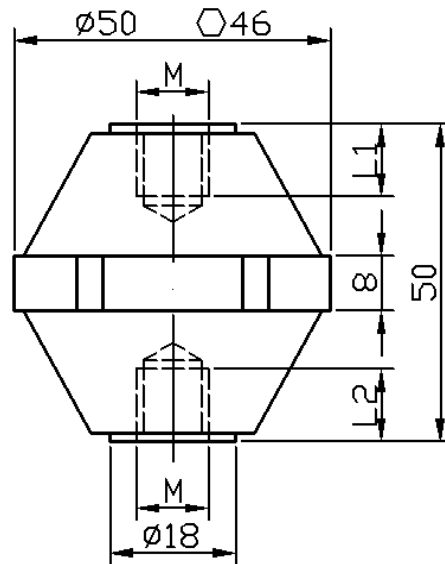
TEST ITEMS	Standard Value	Unit
Rice Arc Voltage(Dry)	$\geq 26$	KV
Break Voltage	$\geq 30$	KV
Insulations Voltage	22kV , 1min	KV
Pull Intensity	$\geq 19$	KN
Press Intensity	$\geq 40$	KN
Bend Intensity	$\geq 4$	KN
Torque	$\geq 50$	N.m
Height	50	mm
Diameter	50	mm
Creep Distance	$\geq 90$	mm

# MC9542C



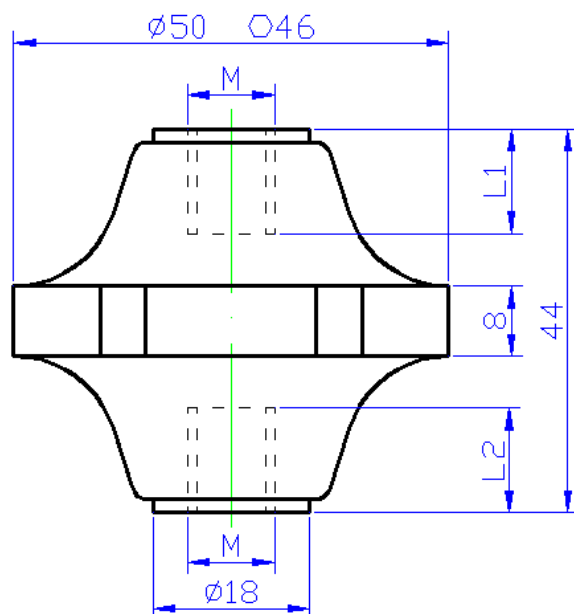
TEST ITEMS	Standard Value	Unit
Rice Arc Voltage(Dry)	≥10	KV
Break Voltage	≥12	KV
Insulations Voltage	8kV , 1min	KV
Bend Intensity	≥12	KN
Torque	≥260	N.m
Height	75	mm
Diameter	42	mm

# MC5050



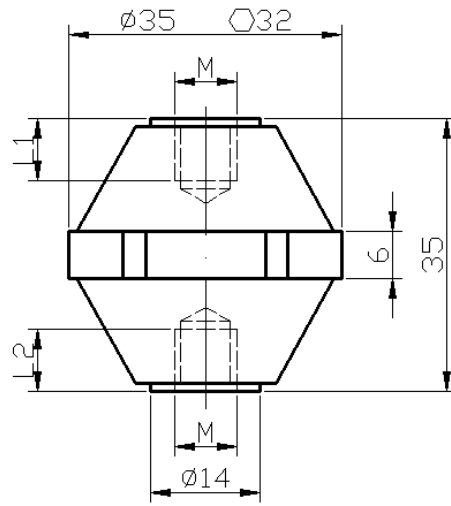
TEST ITEMS	Standard Value	Unit
Rice Arc Voltage(Dry)	≥26	KV
Break Voltage	≥30	KV
Insulations Voltage	22kV , 1min	KV
Pull Intensity	≥19	KN
Press Intensity	≥40	KN
Bend Intensity	≥4	KN
Torque	≥45	N.m
Height	50	mm
Diameter	50	mm

## MC4450



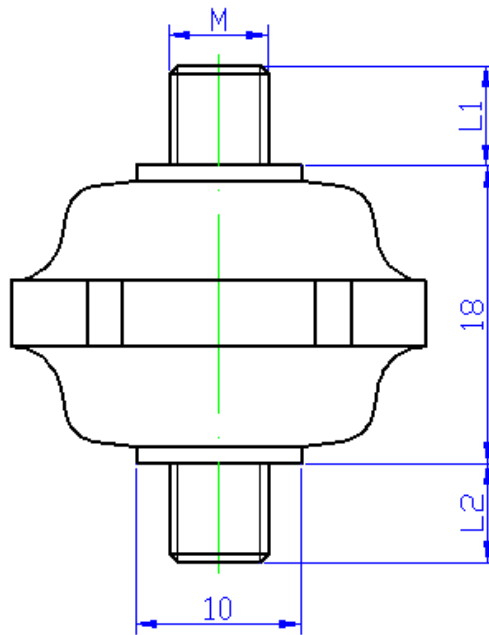
TEST ITEMS	Standard Value	Unit
Rice Arc Voltage(Dry)	$\geq 26$	KV
Break Voltage	$\geq 30$	KV
Insulations Voltage	22kV , 1min	KV
Pull Intensity	$\geq 19$	KN
Press Intensity	$\geq 40$	KN
Bend Intensity	$\geq 4$	KN
Torque	$\geq 45$	N.m
Height	44	mm
Diameter	50	mm

## MC3535



TEST ITEMS	Standard Value	Unit
Rice Arc Voltage(Dry)	≥18	KV
Break Voltage	≥20	KV
Insulations Voltage	16kV , 1min	KV
Pull Intensity	≥9	KN
Press Intensity	≥35	KN
Bend Intensity	≥16	KN
Torque	≥30	N.m
Height	35	mm
Diameter	35	mm

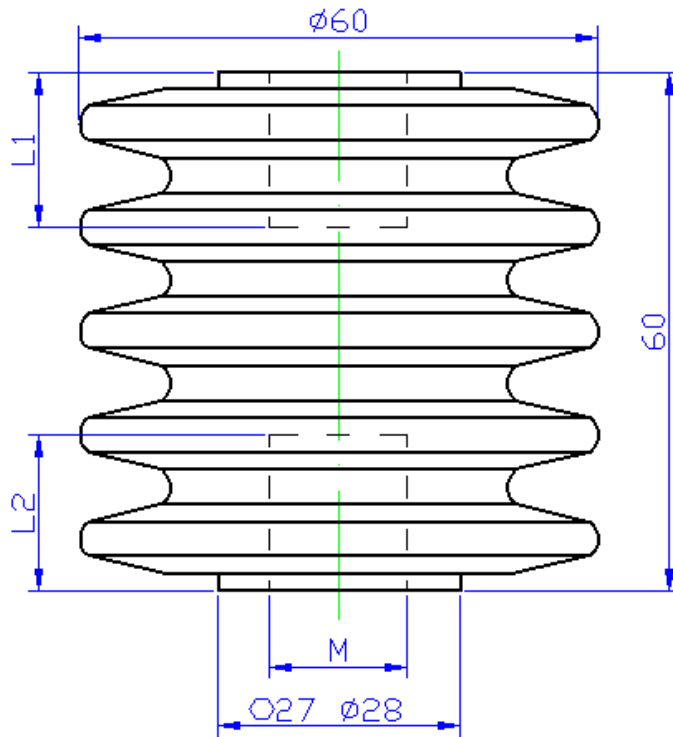
## MC182



TEST ITEMS	Standard Value	Unit
Rice Arc Voltage(Dry)	≥12	KV
Break Voltage	≥15	KV
Insulations Voltage	10kV , 1min	KV
Pull Intensity	≥1.5	KN
Press Intensity	≥12	KN
Bend Intensity	≥0.35	KN
Torque	≥6	N.m
Height	18	mm
Diameter	25	mm

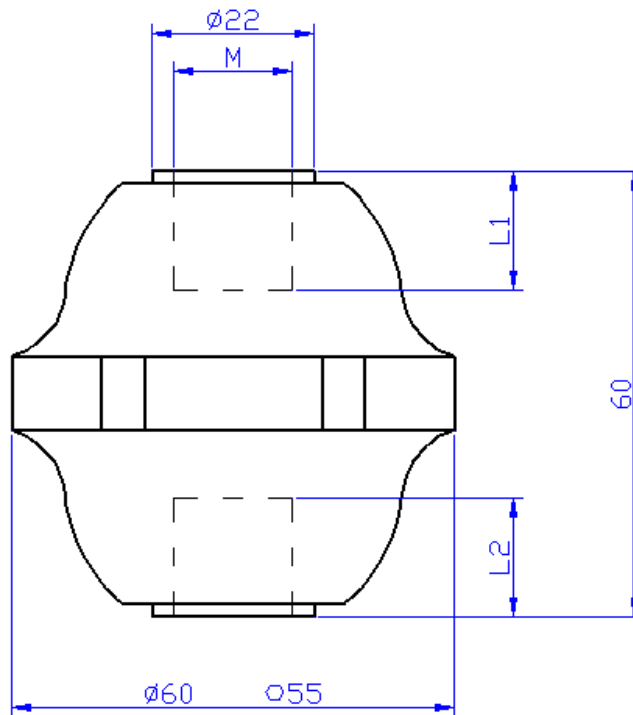


## MC6060S



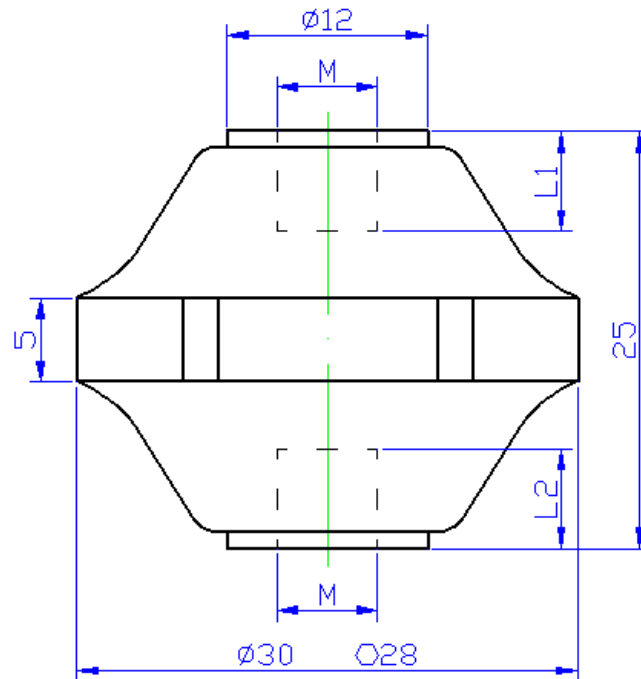
TEST ITEMS	Standard Value	Unit
Rice Arc Voltage(Dry)	$\geq 35$	KV
Break Voltage	$\geq 30$	KV
Insulations Voltage	32kV , 1min	KV
Pull Intensity	$\geq 16$	KN
Press Intensity	$\geq 25$	KN
Bend Intensity	$\geq 6$	KN
Torque	$\geq 140$	N.m
Height	60	mm
Diameter	60	mm

# MC6060



TEST ITEMS	Standard Value	Unit
Rice Arc Voltage(Dry)	$\geq 30$	KV
Break Voltage	$\geq 35$	KV
Insulations Voltage	27kV , 1min	KV
Pull Intensity	$\geq 28$	KN
Press Intensity	$\geq 50$	KN
Bend Intensity	$\geq 7$	KN
Torque	$\geq 140$	N.m
Height	60	mm
Diameter	60	mm

## MC2530



TEST ITEMS	Standard Value	Unit
Rice Arc Voltage(Dry)	$\geq 14$	KV
Break Voltage	$\geq 18$	KV
Insulations Voltage	12kV , 1min	KV
Pull Intensity	$\geq 8$	KN
Press Intensity	$\geq 25$	KN
Bend Intensity	$\geq 1.6$	KN
Torque	$\geq 12$	N.m
Height	25	mm
Diameter	30	mm